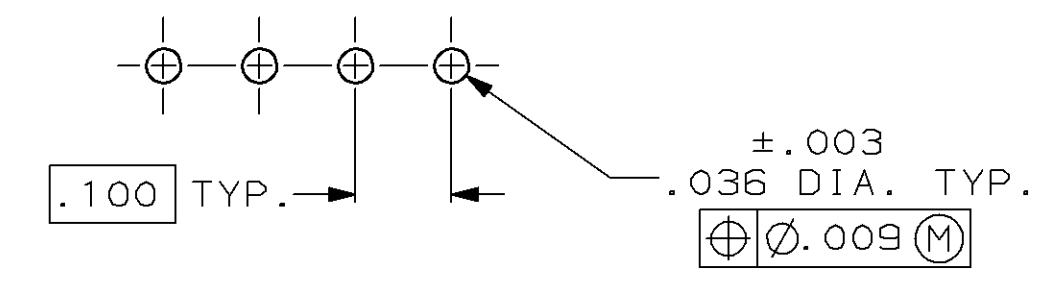
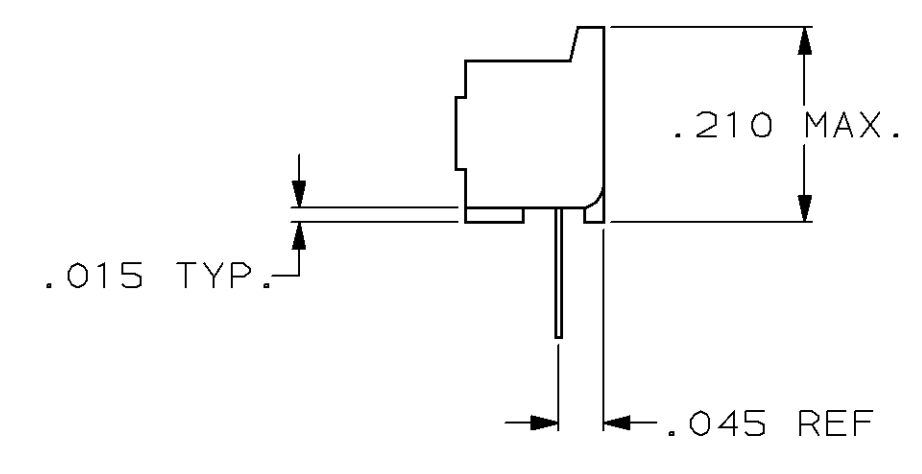
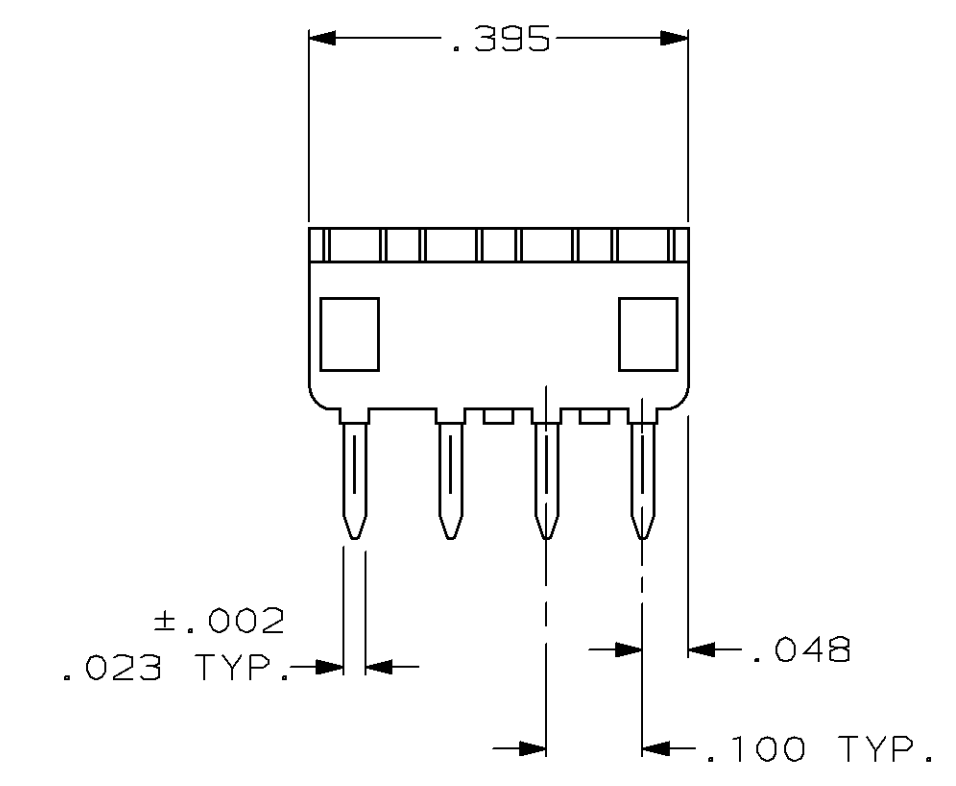
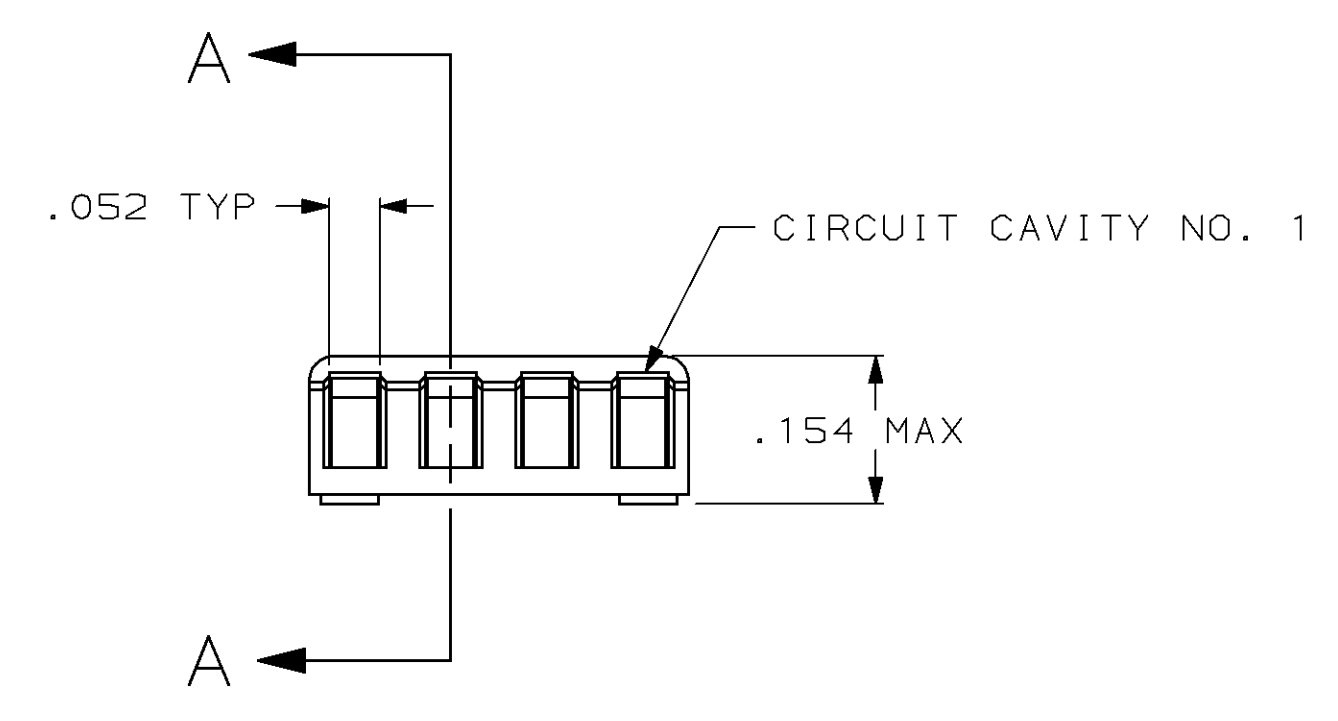
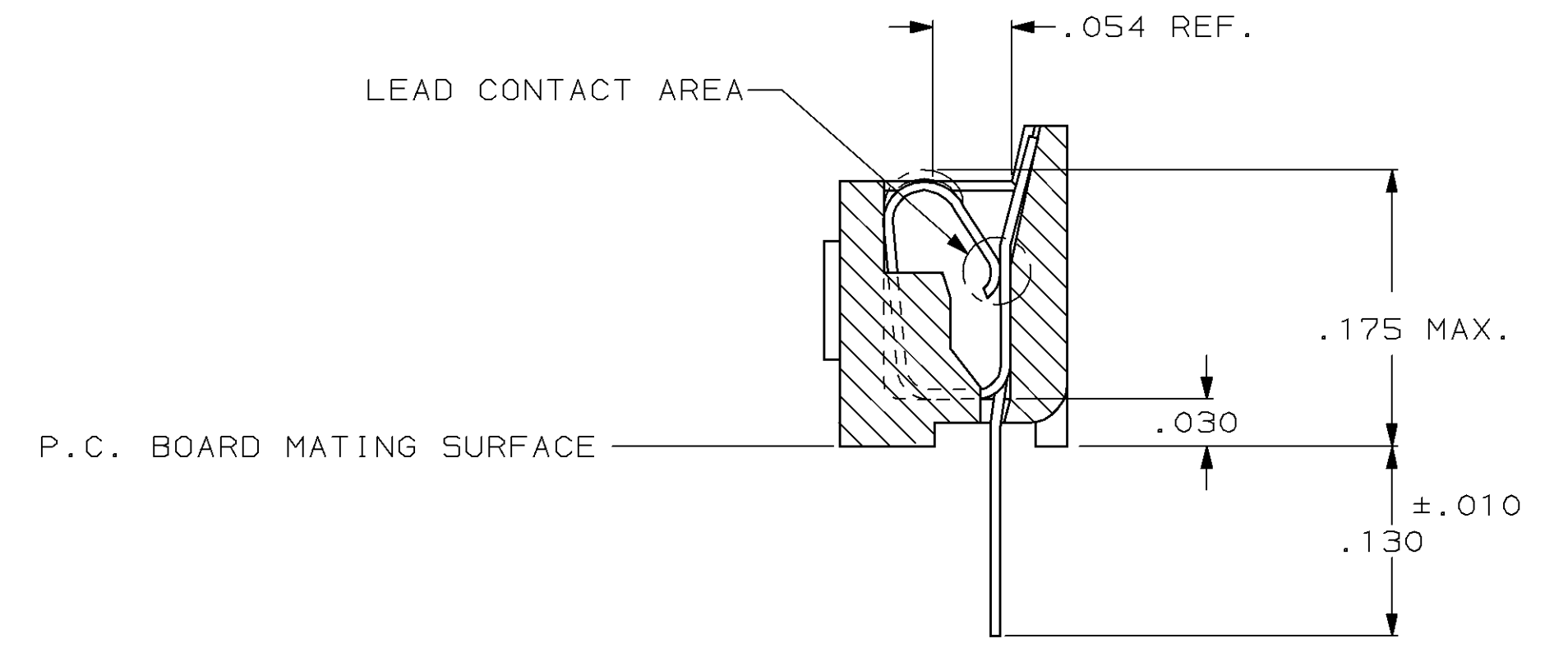


LOC	DIST	REVISIONS			
P	LTR	DESCRIPTION	DATE	DWN	APVD
FT	64	C	REV PER EC 0320-138-97	28 APR 97	BC GJ
		D	REV PER EC 0330-35-97	21 JUL 97	DH GJ



1. RECEPTACLE ACCEPTS AN .008-.014 THK. I.C. LEAD.



CONTACT FINISH	CONTACT MAT'L	HOUSING MATERIAL	PART NO.
TINNED	PHOS.BRZ.	GLASS-FILLED THERMOPLASTIC, 94V-0, BLACK	382438-3
TINNED	BE.CU.	GLASS-FILLED THERMOPLASTIC, 94V-0, BLACK	382438-1

THIS DRAWING IS A CONTROLLED DOCUMENT.		DWN K. SALMON	28 APR 97	AMP AMP Incorporated Harrisburg, PA 17105-3508
DIMENSIONS INCHES		CHK R. MILLER	NAME R. PRIDDY	
TOLERANCES UNLESS OTHERWISE SPECIFIED:		PRODUCT SPEC		SOCKET ASSY, SIP, 4 POS, DIPLOMATE™ DL
0 PLC ±-		108-1066		
1 PLC ±-		APPLICATION SPEC		SIZE CAGE CODE DRAWING NO. RESTRICTED TO
2 PLC ±-		114-1049		
3 PLC ±.005		WEIGHT		A1 00779 C=382438
4 PLC ±-		CUSTOMER DRAWING		
ANGLES		SCALE 5:1		SHEET 1 OF 1
FINISH SEE TABLE		REV D		